

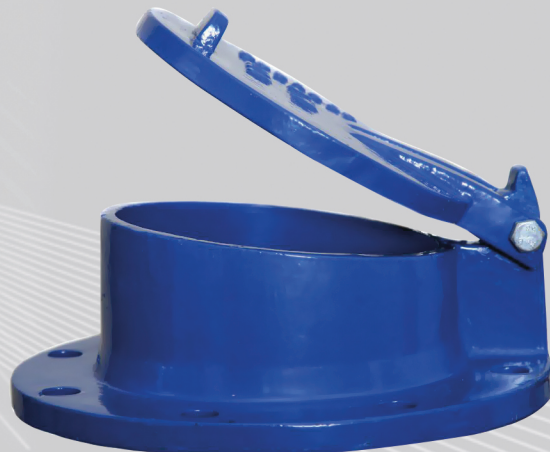
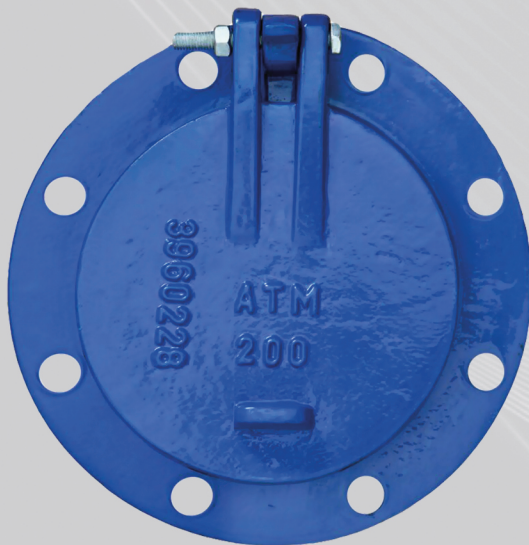


Abresan Tolou Mehr Company
Producer of valves and under pressure joints

WATER DISCHARGE



ISO 9001: 2008



www.atmehr.com

Water discharge valve (FLAP VALVE)

Water discharge valve (FLAP VALVE)

The discharge or drainage valve is a link made up of a structure, valve and joint installed at the end of pipes, walls or channels.

It is responsible for the following tasks:

- * Discharge the currents that are pumped into the pipelines or gravity flows inside the tube to the outside.
- * Prevent the entry of foreign bodies and animals in the tube or channel.
- * Avoid creating reverse flow

Flanges are scaled according to standard EN 1092-1 (ISO 7005-1 DIN 2501)

And other standards as per customer request.

Cover:

Epoxy Powder Coating with Electrostatic Spraying that has a thickness of not less than 250 microns and has a certified drinking water certificate from good international institutions

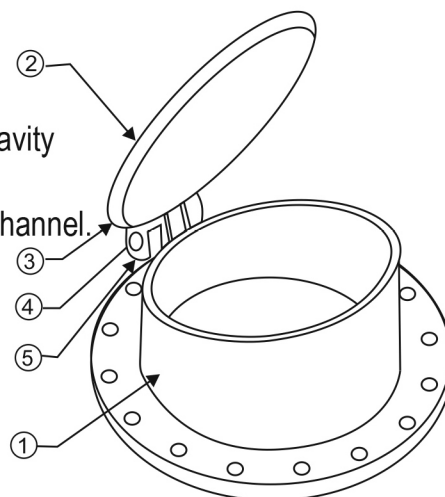


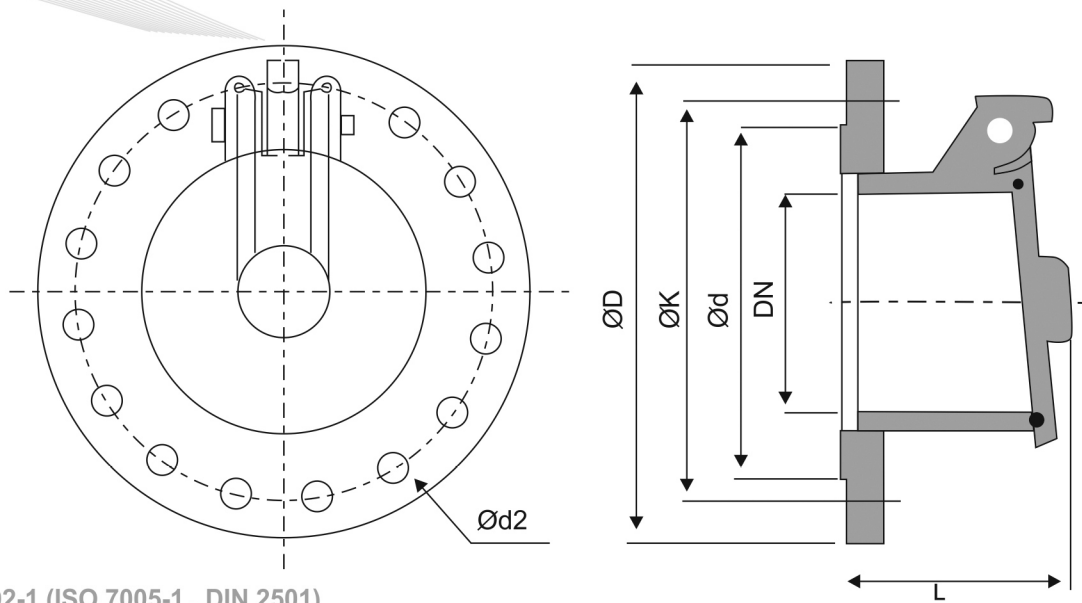
Table Name and Material of Discharge Valve parts

Part No.	Part Name	Material
1	Body	GJL 250 or GJS 400-15 or St 37-2
2	Flap	GJL 250 or GJS 400-15 or St 37-2
3	O-Ring	NBR or EPDM
4	Hinge Pin	Stainless Steel
5	Spring Pin	Stainless Steel

Specification of water discharge valve for ABRASAN TOLOU MEHR COMPANY:

- * The possibility of manufacturing according to all the standards for installation on all types of flanges (DIN, ISO, ANSE, BS, ...)
- * Open the valve by 90 degrees and do not lock the LED at the end of its motion path
- * Suitable for sewage
- * Having a suitable seat (rubber) to prevent sound
- * Open at the lowest pressure required (less than 0/1 Bar)
- * Suitable for installation under or above water level
- * Abrasan Tolou Mehr company with maintaining the relevant standards has the right to change dimensions and specifications to improve quality.

Abresan Toloue Mehr Company reserves the right to change any dimension and specification to promote quality while considering related standards.



EN 1092-1 (ISO 7005-1 , DIN 2501)

DN (mm)	L(mm)	PN 10				PN 16			
		D(mm)	K(mm)	d(mm)	Drilling	D(mm)	K(mm)	d(mm)	Drilling
50	105	165	125	102	4 (M16)	165	125	102	4 (M16)
65	105	185	145	122	4 (M16)	185	145	122	4 (M16)
80	130	200	160	138	8 (M16)	200	160	138	8 (M16)
100	130	220	180	158	8 (M16)	220	180	158	8 (M16)
125	130	250	210	188	8 (M16)	250	210	188	8 (M16)
150	140	285	240	212	8 (M16)	285	240	212	8 (M20)
200	150	340	295	268	8 (M16)	340	295	268	12 (M20)
250	190	395	350	320	12 (M20)	405	355	320	12 (M24)
300	210	445	400	370	12 (M20)	460	410	378	12 (M24)
350	225	505	460	430	16 (M20)	520	470	438	16 (M24)
400	220	565	515	482	16 (M24)	580	525	490	16 (M27)
450	250	615	565	532	20 (M24)	640	585	550	20 (M27)
500	280	670	620	585	20 (M24)	715	650	610	20 (M30)
600	310	780	725	685	20 (M27)	840	770	725	20 (M33)
700	350	895	840	800	24 (M27)	910	840	795	24 (M33)
800	390	1015	950	902	24 (M30)	1025	950	900	24 (M36)
900	430	1115	1050	1005	28 (M30)	1125	1050	1000	28 (M36)
1000	470	1230	1160	1110	28 (M33)	1255	1170	1115	28 (M39)
1100	510	1340	1270	1228	32 (M33)	1355	1270	1220	32 (M39)
1200	530	1455	1380	1330	32(M36)	1485	1390	1330	32(M45)

Specifications for sizes greater than 1200 and higher pressures are advertised according to customer request.

Abresan Toloue Mehr Company reserves the right to change any dimension and specification to promote quality while considering related standards.