

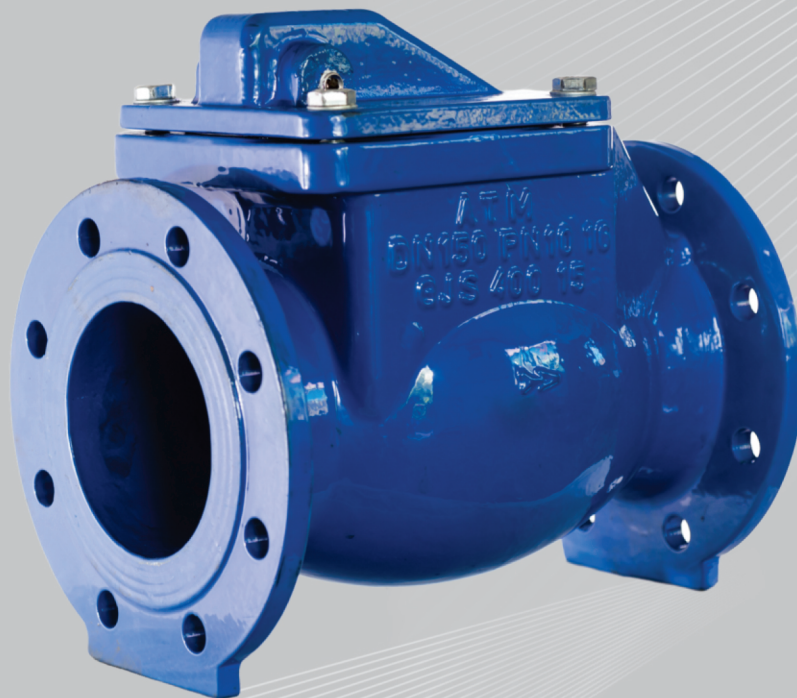


Abresan Tolou Mehr Company
Producer of valves and under pressure joints

Swing Check Valve



ISO 9001:2008



www.atmehr.com

Swing Check Valve

Application

These valves are used in lines where the liquid velocity is low and it is not suitable for lines with a traumatic liquid velocity or where there is rapid return of the liquid and one-way throttle springy valves are recommended.

Advantages and features of the swing check valve:

- 1 Due to the distance of the propeller from its place at the time of opening, it is used for liquids that contain solid parts like sewage.
- 2 Very low chaos creation in current
- 3 Very low pressure decrease
- 4 To be used horizontally or vertically

Pressure: PN-10P16

Size: DN-50DN 3000

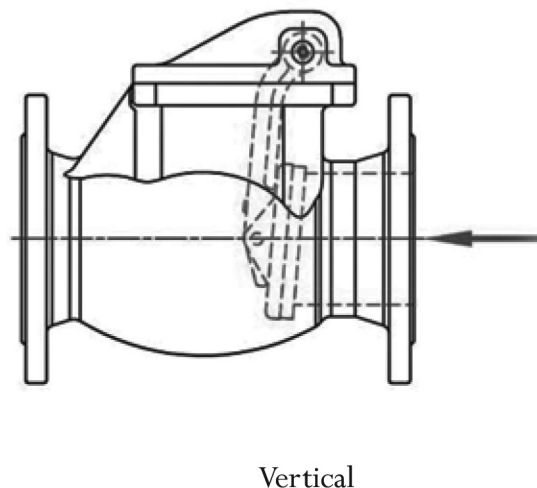
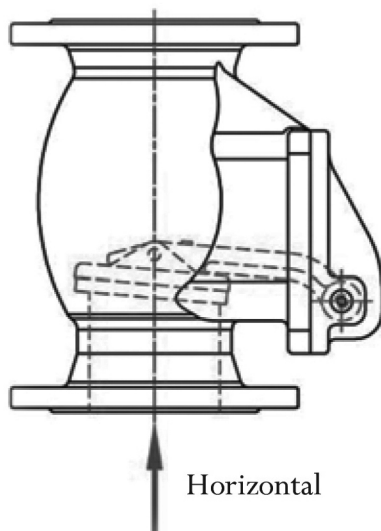
Flange dimensions according to standard: DIN EN -1092(DIN2501)

Valve flange to flange according to standard: DIN EN 558-1 series 48 (DIN 3202)-F6

Coating: all iron cast parts are coated with blue epoxy powder paint (RAL 5015 or RAL 5005) in electrostatic method.

Pressure test according to DIN EN 1-12266		
Pressure test with water (bar)		Nominal pressure (bar)
17	11	10
25	17.6	16

Different ways of valve installation:

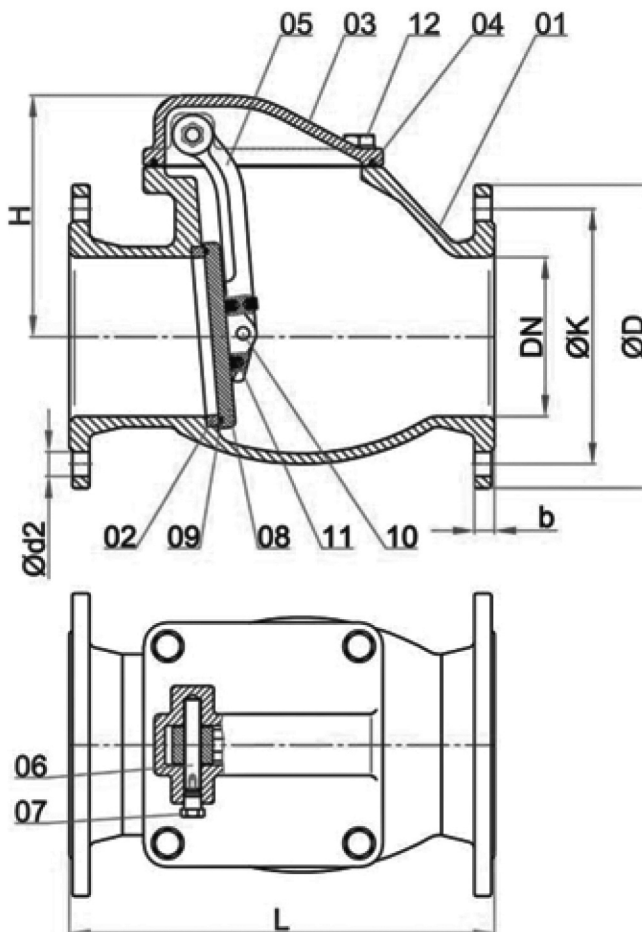


Abresan Toloue Mehr Company reserves the right to change any dimension and specification to promote quality while considering related standards.

Swing Check Valve

Part no.	Part name	Part material	Spare parts
01	Body	EN-GJS1) 15-400-)	
02	Sealing ring	1.4301/AL. Bz	
03	Cap	EN-GJS1) 15-400-)	
04	Sealing rubber	EPDM / NBR	•
05	Lever	EN-GJS1) 15-400-)	
06	Lever pin	1.4021	
07	Cap	Brass	
08	Propeller	EN-GJS1) 15-400-)	
09	O-ring	EPDM – NBR	•
10	Propeller pin	1.4021	
11	Shock absorber	EPDM / NBR	•
12	Screw rubber	A2	•

(1) Can be produced with EN-GJS7-500- subject to order.



•DIN EN 1092-2(DIN 2501)

•DIN EN 558-1 series 48 (DIN 3202 F6)

DN mm	PN bar	L mm	ΦD mm	ΦK mm	b mm	Φd2 mm	n	H mm	Weight kg
50	10,16	200	165	125	19	19	4	123	12
65	10,16	240	185	145	19	19	4	139	16
80	10,16	260	200	160	19	19	8	154	21
100	10,16	300	220	180	19	19	8	177	29
125	10,16	350	250	210	19	19	8	202	38
150	10,16	400	285	240	19	23	8	227	50
200	10	500	340	295	20	23	8	298	93
	16								
250	10	600	395	350	22	23	12	370	135
	16		405	355					
300	10	700	445	400	24.5	23	12	450	175
	16		455	410					

Abresan Toloue Mehr Company reserves the right to change any dimension and specification to promote quality while considering related standards.