



Abresan Toloue Mehr Company  
Producer of valves and under pressure joints

# Dismantling Joints



۶۶۶۲۸۴۴۹۵ م



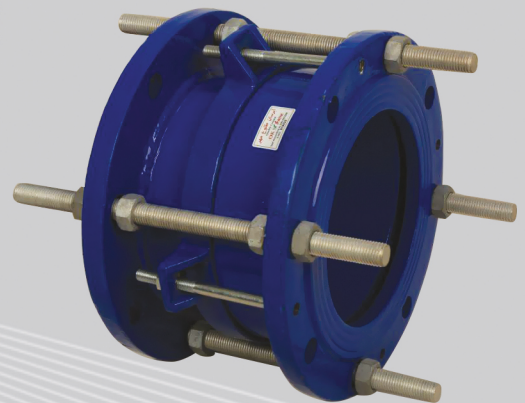
OHSAS 18001



ISO 14001



ISO 9001: 2008



[www.atmehr.com](http://www.atmehr.com)

## Specifications of removable connector Dismantling Joints-Rigi - F1 model

### Pressure PN 6-PN 40

### Size DN 50- DN 2000

Flanges in accordance with DIN EN 1092-1 (DIN 2501)

**Specifications:** With these conductors the valves can be separated and dismantled easily from pipelines. When the jaw is separated by the screws, the length of the piece can be reduced so that there will be enough space to loosen the valves and loops to prevent leakage. When you install the valve and loop it the length of the connectors can be adjusted again with the help of screws and fasteners, and valve arbitration between flints.

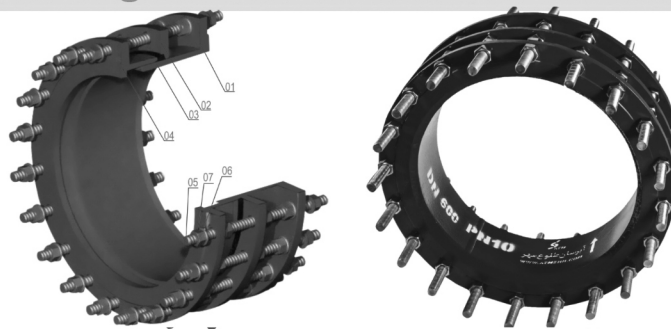
**Cover Color:** All parts are coated with electrostatic powder coating.

**Scope of use:** Used for liquids with a temperature not less than 120 ° C. (Otherwise can provide according to request)

### Advantages:

- occupy a low space
- Disables the radial and axial forces of the valve.
- Because of the possibility of short or long pipe length, it can be repaired.
- Secure design
- Flanges and pipes in size 50 to 800 with different pressures, made of cast iron and steel are in all sizes made of steel.

## Specifications of removable connector Dismantling Joints-Rigi - F1 model



Piece Number	Piece Name	Section material	1	2
1	internal tube Flange	St 37-2/EN-GJS-400-15		
2	Central Flange	St 37-2/EN-GJS-400-15		
3	Rubber sealant	EPDM (NBR on Request)	•	•
4	outer tube Flange	St 37-2/EN-GJS-400-15		
5	Screw of galvanized steel	DIN ISO 898-1 Property Class 8.8 Zinc	•	
6	Galvanized steel rings	Plated	•	
7	Galvanized steel seals	DIN ISO 898-2 Property Class 8. Zinc	•	

Abresan Toloue Mehr Company reserves the right to change any dimension and specification to promote quality while considering related standards.

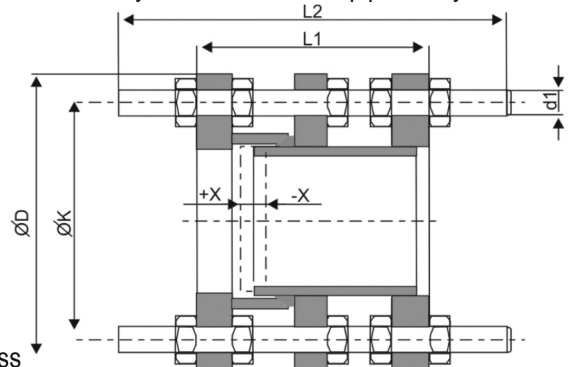
## Specifications of removable connector Dismantling Joints-Rigi - F1 model

**Application of removable connectors:**

When fuses and connectors are installed in their positions, available space is available using removable connectors, as well as when it is necessary to separate the valves from the pipeline, fuses can be easily removed from the pipeline by shortening the length of the removable connector.

**Name and material of detachable and unplugged conductors:**

- Flange Socket ST37-2 or Ductile Iron
- ST37-2 or Ductile Iron Tube Fuse
- Flange ST37-2 or Ductile Iron
- Centrifuge ST37-2 or Ductile Iron
- Sealing rubber EPDM or NBR
- Bolts and fasteners Galvanized Steel
- Spare parts available



**Cover:** Electrostatic coated epoxy coating powder which has a thickness

of not less than 250 microns and has a certified drinking water certificate from international institutions.

**Excavation of flanges according to standard:**

(EN 1092- (ISO 7005-1, DIN2501)

PN10	DN (mm)	D (mm)	K (mm)	L1 (mm)	X (mm)	No.of Holes	d1	L2 (mm)	Weight (kg)
	50	165	125	195	±25	4	M16	320	11
	65	185	145	195	±25	8	M16	320	13
	80	200	160	195	±25	8	M16	320	19
	100	220	180	200	±25	8	M16	320	21
	125	250	210	200	±25	8	M16	320	28
	150	285	240	200	±25	8	M20	360	33
	200	340	295	220	±25	8	M20	360	40
	250	395	350	220	±25	12	M20	360	55
	300	445	400	220	±25	12	M20	360	66
	350	505	460	230	±25	16	M20	360	80
	400	565	515	230	±25	16	M24	410	110
	450	615	565	250	±25	20	M24	410	130
	500	670	620	260	±25	20	M24	430	145
	600	780	725	260	±25	20	M27	430	200
	700	895	840	260	±25	24	M27	430	250
	800	1015	950	290	±25	24	M30	480	330
	900	1115	1050	290	±25	28	M30	480	370
	1000	1230	1160	290	±25	28	M33	480	440
	1200	1455	1380	320	±25	32	M36	530	670
1400	1675	1590	360	±25	36	M39	580	900	
1600	1915	1820	390	±25	40	M45	650	1490	
1800	2115	2020	400	±25	44	M45	650	1800	
2000	2325	2230	410	±25	48	M45	700	2700	

Abresan Toloue Mehr Company reserves the right to change any dimension and specification to promote quality while considering related standards.

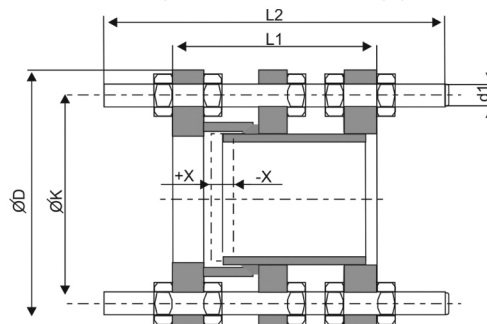
## Specifications of removable connector Dismantling Joints-Rigi - F1 model

**Application of removable connectors:**

When fuses and connectors are installed in their positions, available space is available using removable connectors, as well as when it is necessary to separate the valves from the pipeline, fuses can be easily removed from the pipeline by shortening the length of the removable connector.

**Name and material of detachable and unplugged conductors:**

- Flange Socket ST37-2 or Ductile Iron
- ST37-2 or Ductile Iron Tube Fuse
- Flange ST37-2 or Ductile Iron
- Centrifuge ST37-2 or Ductile Iron
- Sealing rubber EPDM or NBR
- Bolts and fasteners Galvanized Steel
- Spare parts available



**Cover:** Electrostatic coated epoxy coating powder which has a thickness of not less than 250 microns and has a certified drinking water certificate from international institutions.

**Excavation of flanges according to standard:**

(EN 1092- (ISO 7005-1, DIN2501)

PN16	DN (mm)	D (mm)	K (mm)	L1 (mm)	X (mm)	No.of Holes	d1	L2 (mm)	Weight (kg)
	50	165	125	195	±25	4	M16	320	11
	65	185	145	195	±25	8	M16	320	13
	80	200	160	195	±25	8	M16	320	19
	100	220	180	200	±25	8	M16	320	21
	125	250	210	200	±25	8	M16	320	28
	150	285	240	200	±25	8	M20	360	35
	200	340	295	220	±25	12	M20	360	47
	250	405	355	230	±25	12	M24	370	69
	300	460	410	250	±25	12	M24	410	83
	350	520	470	260	±25	16	M24	410	115
	400	580	525	270	±25	16	M27	430	140
	450	640	585	270	±25	20	M27	430	185
	500	715	650	280	±25	20	M30	480	242
	600	840	770	300	±25	20	M33	480	320
	700	910	840	300	±25	24	M33	480	350
	800	1025	950	320	±25	24	M36	530	430
	900	1125	1050	320	±25	28	M36	530	490
	1000	1255	1170	340	±25	28	M39	580	680
	1200	1485	1390	360	±25	32	M45	600	1050
1400	1685	1590	415	±25	36	M45	700	1220	
1600	1930	1820	445	±25	40	M52	750	1900	
1800	2130	2020	450	±25	44	M52	750	2540	
2000	2345	2230	460	±25	48	M56	800	2740	

Abresan Toloue Mehr Company reserves the right to change any dimension and specification to promote quality while considering related standards.

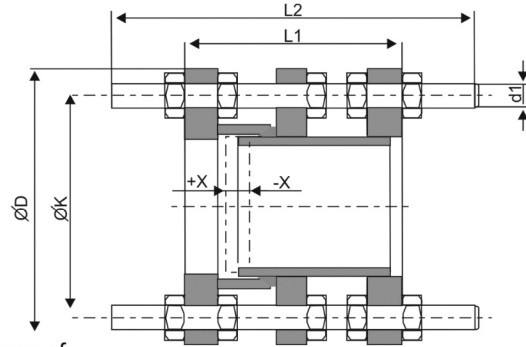
## Specifications of removable connector Dismantling Joints-Rigi - F1 model

**Application of removable connectors:**

When fuses and connectors are installed in their positions, available space is available using removable connectors, as well as when it is necessary to separate the valves from the pipeline, fuses can be easily removed from the pipeline by shortening the length of the removable connector.

**Name and material of detachable and unplugged conductors:**

- Flange Socket ST37-2 or Ductile Iron
- ST37-2 or Ductile Iron Tube Fuse
- Flange ST37-2 or Ductile Iron
- Centrifuge ST37-2 or Ductile Iron
- Sealing rubber EPDM or NBR
- Bolts and fasteners Galvanized Steel
- Spare parts available



**Cover:** Electrostatic coated epoxy coating powder which has a thickness of not less than 250 microns and has a certified drinking water certificate from international institutions.

**Excavation of flanges according to standard:** (EN 1092- (ISO 7005-1, DIN2501))

DN	D	K	L1	X	No.of	d1	L2	Weight
	(mm)	(mm)	(mm)	(mm)	Holes	(mm)	(mm)	(kg)
50	165	125	195	±25	4	M16	320	12
65	185	145	195	±25	8	M16	320	15
80	200	160	215	±25	8	M16	345	17
100	235	190	220	±25	8	M20	360	25
125	270	220	220	±25	8	M24	370	39
150	300	250	230	±25	8	M24	410	44
200	360	310	230	±25	12	M24	410	62
250	425	370	250	±25	12	M27	430	88
300	485	430	250	±25	16	M27	430	130
350	555	490	270	±25	16	M30	480	194
400	620	550	280	±25	16	M33	480	230
450	670	600	280	±25	20	M33	480	278
500	730	660	300	±25	20	M33	500	330
600	845	770	320	±25	20	M36	530	421
700	960	875	320	±25	24	M39	560	515
800	1085	990	360	±25	24	M45	650	730
900	1185	1090	380	±25	28	M45	700	950
1000	1320	1210	400	±25	28	M52	700	1180
1200	1530	1420	450	±25	32	M56	750	1580
1400	1755	1640	490	±25	36	M56	800	2100
1600	1975	1860	510	±25	40	M56	850	2620
1800	2195	2070	520	±25	44	M64	880	3350
2000	2425	2300	545	±25	48	M64	900	4400

Abresan Toloue Mehr Company reserves the right to change any dimension and specification to promote quality while considering related standards.

## Specification for Dismantling Joint-Rigid - F2

**Pressure PN 6-PN 40**

**Size DN 50- DN 2000**

Flanges in accordance with DIN EN 1092-1 (DIN 2501)

**Specifications:** With the help of these conductors, the valves can be separated and dismantled easily from pipelines. When the jaw is separated by the screws, the length of the piece can be reduced so that there will be enough space to loosen the valves and loops to prevent leakage. When you install the valve and loop, the length of the connectors can be adjusted again with the help of screws and fasteners, and valve arbitration between flints.

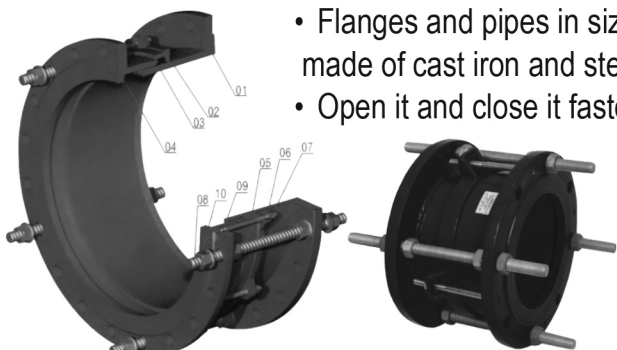
**Cover Color:** All parts are coated with electrostatic powder coating.

**Scope of use:** Used for liquids with a temperature not less than 120 ° C. (Otherwise can provide according to request)

**Advantages:**

- occupy a low space
- Disables the radial and axial forces of the valve.
- Because of the possibility of short or long pipe length, it can be repaired.
- Secure design

- Flanges and pipes in size 50 to 800 with different pressures, made of cast iron and steel, which in all sizes are made of steel.
- Open it and close it faster and more easily for the F1 model



## Specification for Dismantling Joint-Rigid - F2

Piece Number	Piece Name	Section material	1	2
1	internal tube Flange	St 37-2/EN-GJS-400-15		
2	Central Flange	St 37-2/EN-GJS-400-15		
3	Rubber sealant	EPDM (NBR on Request)	•	•
4	outer tube Flange	St 37-2/EN-GJS-400-15		
5	Double-head screwdriver	ISO 3506-1, Gr.A2, Property Class 70	•	
6	the ring	ISO 3506-1, Gr.A2, Property Class 70	•	
7	AlSamoula	ISO 3506-1, Gr.A2, Property Class 70	•	
8	Screw of galvanized steel	DIN ISO 898-1 Property Class 8.8 Zinc Plated	•	
9	Galvanized steel rings	DIN ISO 898-2 Property Class 8. Zinc Plated	•	
10	Galvanized steel seals	DIN ISO 898-2 Property Class 8. Zinc Plated	•	

Abresan Toloue Mehr Company reserves the right to change any dimension and specification to promote quality while considering related standards.

## Specification for Dismantling Joint-Rigid - F2

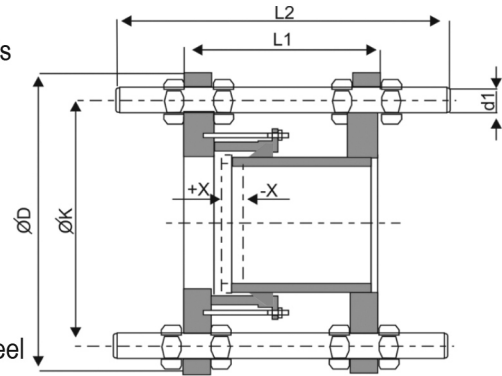
When fuses and connectors are installed in their positions, available space is available using removable connectors, as well as when it is necessary to separate the valves from the pipeline, fuses can be easily removed from the pipeline by shortening the length of the removable connector.

When fuses and connectors are installed in their positions, available space is available using removable connectors, as well as when it is necessary to separate the valves from the pipeline, fuses can be easily removed from the pipeline by shortening the length of the removable connector.

**Advantage:** Open it and close it faster and more easily for the F1 model

**Name and material of detachable and unplugged conductors:**

- \* Flange Socket ST37-2 or Ductile Iron
- \* ST37-2 or Ductile Iron Tube Fuse
- \* Flange ST37-2 or Ductile Iron
- \* Centrifuge ST37-2 or Ductile Iron
- \* Sealing rubber EPDM or NBR
- \* Bolts and fasteners Galvanized Steel
- \* Spare parts available



**Cover:** Electrostatic coated epoxy coating powder which thickness is not less than 250 microns and has a certified drinking water certificate from good international institutions.

**.Excavation of flanges according to standard:**

(EN 1092-ISO 7005-1, DIN2501)

DN	D (mm)	K (mm)	L1 (mm)	X (mm)	Flange Adaptor	Tie Stud Bolt No & Dimensions			Weight (kg)
					Stud Bolts No. & Dimensions	No. of Holes	d1	L <sub>2</sub> (mm)	
50	165	125	195	±25	2-M12*140	4	M16	320	8
65	185	145	195	±25	2-M12*140	4	M16	320	9
80	200	160	195	±25	4-M12*140	4	M16	320	12
100	220	180	200	±25	4-M12*140	4	M16	320	17
125	250	210	200	±25	4-M12*140	4	M16	320	20
150	285	240	200	±25	4-M12*140	4	M20	360	26
200	340	295	220	±25	4-M12*140	4	M20	360	35
250	395	350	220	±25	6-M12*140	4	M20	360	44
300	445	400	220	±25	6-M12*140	4	M20	360	53
350	505	460	230	±25	8-M12*140	4	M20	360	62
400	565	515	230	±25	8-M12*140	4	M24	410	83
450	615	565	250	±25	10-M12*155	5	M24	410	92
500	670	620	260	±25	10-M12*155	5	M24	430	105
600	780	725	260	±25	10-M12*155	5	M27	430	135
700	895	840	260	±25	12-M12*155	6	M27	430	160
800	1015	950	290	±25	12-M12*155	6	M30	480	200
900	1115	1050	290	±25	14-M12*155	7	M30	480	270
1000	1230	1160	290	±25	14-M12*180	7	M33	480	310
1200	1455	1380	320	±25	16-M16*180	8	M36	530	440
1400	1675	1590	360	±25	18-M16*180	9	M39	580	540
1600	1915	1820	390	±25	20-M16*180	10	M45	650	1100
1800	2115	2020	400	±25	22-M16*230	11	M45	650	1180
2000	2325	2230	410	±25	24-M16*230	12	M45	700	1340

Abresan Toloue Mehr Company reserves the right to change any dimension and specification to promote quality while considering related standards.

## Specification for Dismantling Joint-Rigid - F2

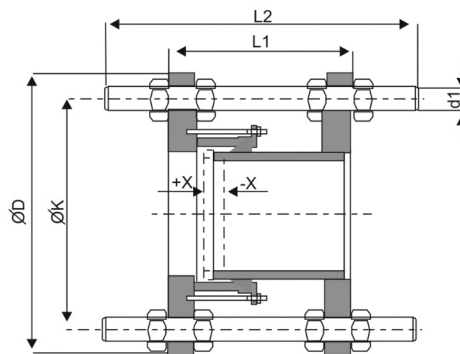
**Application of removable connectors:**

When fuses and connectors are installed in their positions, available space is available using removable connectors, as well as when it is necessary to separate the valves from the pipeline, fuses can be easily removed from the pipeline by shortening the length of the removable connector.

Advantage: Open it and close it faster and more easily for the F1 model

**Name and material of detachable and unplugged conductors:**

- Flange Socket ST37-2 or Ductile Iron
- ST37-2 or Ductile Iron Tube Fuse
- Flange ST37-2 or Ductile Iron
- Centrifuge ST37-2 or Ductile Iron
- Sealing rubber EPDM or NBR
- Bolts and fasteners Galvanized Steel
- Spare parts available



**Cover:** Electrostatic coated epoxy coating powder which thickness is not less than 250 microns and has a certified drinking water certificate from good international institutions.

**Flanges according to standard:**

(EN 1092-ISO 7005-1. DIN2501)

DN	D (mm)	K (mm)	L1 (mm)	X (mm)	Flange Adaptor	Tie Stud Bolt No. & Dimensions			Weight (kg)
					Stud Bolts No. & Dimensions	No. of Holes	d1	L <sub>2</sub> (mm)	
50	165	125	195	±25	2-M12*140	4	M16	320	8
65	185	145	195	±25	2-M12*140	4	M16	320	9
80	200	160	195	±25	4-M12*140	4	M16	320	12
100	220	180	200	±25	4-M12*140	4	M16	320	17
125	250	210	200	±25	4-M12*140	4	M16	320	20
150	285	240	200	±25	4-M12*140	4	M20	360	26
200	340	295	220	±25	6-M12*140	4	M20	360	36
250	405	355	230	±25	6-M12*140	4	M24	370	41
300	460	410	250	±25	6-M12*140	4	M24	410	59
350	520	470	260	±25	8-M12*140	4	M24	410	67
400	580	525	270	±25	8-M12*140	4	M27	430	92
450	640	585	270	±25	10-M12*140	5	M27	430	110
500	715	650	280	±25	10-M12*155	5	M30	480	128
600	840	770	300	±25	10-M12*155	5	M33	480	170
700	910	840	300	±25	12-M12*155	6	M33	480	178
800	1025	950	320	±25	12-M12*155	6	M36	530	210
900	1125	1050	320	±25	14-M16*180	7	M36	530	230
1000	1255	1170	340	±25	14-M12*180	7	M39	580	303
1200	1485	1390	360	±25	16-M16*180	8	M45	600	500
1400	1685	1590	415	±25	18-M16*180	9	M45	700	600
1600	1930	1820	445	±25	20-M16*230	10	M52	750	1170
1800	2130	2020	450	±25	22-M16*230	11	M52	750	1400
2000	2345	2230	460	±25	24-M16*230	12	M56	800	1620

Abresan Toloue Mehr Company reserves the right to change any dimension and specification to promote quality while considering related standards.



## Dismantling joint-Rigid connector - F2

Application of removable connectors:

When fuses and connectors are installed in their positions, available space is available using removable connectors, as well as when it is necessary to separate the valves from the pipeline, fuses can be easily removed from the pipeline by shortening the length of the removable connector.

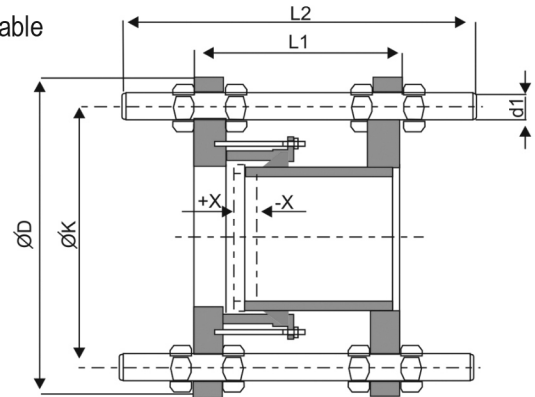
**Advantage:**

Open it and close it faster and more easily for the F1 model

**Name and material of detachable and unplugged conductors:**

- Flange Socket ST37-2 or Ductile Iron
- ST37-2 or Ductile Iron Tube Fuse
- Flange ST37-2 or Ductile Iron
- Centrifuge ST37-2 or Ductile Iron
- Sealing rubber EPDM or NBR
- Bolts and fasteners Galvanized Steel

**Cover:** Electrostatic coated epoxy coating powder which thickness is not less than 250 microns and has a certified drinking water certificate from good international institutions.



Excavation of flanges according to standard:

(EN 1092-ISO 7005-1, DIN2501)

PN25	DN	D (mm)	K (mm)	L1 (mm)	X (mm)	Flange Adaptor	Tie Stud Bolt No & Dimensions			Weight (kg)
						Stud Bolts No. & Dimensions	No. of Holes	d1	L <sub>2</sub> (mm)	
50	165	125	195	±25	2-M12*140	4	M16	320	8	
65	185	145	195	±25	2-M12*140	4	M16	320	9	
80	200	160	215	±25	4-M12*140	4	M16	345	12	
100	235	190	220	±25	4-M12*140	4	M20	360	21	
125	270	220	220	±25	4-M12*140	4	M24	370	28	
150	300	250	230	±25	4-M12*140	4	M24	410	33	
200	360	310	230	±25	6-M12*140	4	M24	410	40	
250	425	370	250	±25	6-M12*140	4	M27	430	51	
300	485	430	250	±25	8-M12*140	4	M27	430	62	
350	555	490	270	±25	8-M12*140	4	M30	480	95	
400	620	550	280	±25	8-M12*140	4	M33	480	115	
450	670	600	280	±25	10-M12*140	5	M33	480	128	
500	730	660	300	±25	10-M12*155	5	M33	500	179	
600	845	770	320	±25	10-M16*155	5	M33	530	230	
700	960	875	320	±25	12-M16*155	6	M39	560	330	
800	1085	990	360	±25	12-M16*180	6	M45	650	410	
900	1185	1090	380	±25	14-M16*180	7	M45	700	500	
1000	1320	1210	400	±25	14-M16*180	7	M52	700	680	

Abresan Toloue Mehr Company reserves the right to change any dimension and specification to promote quality while considering related standards.